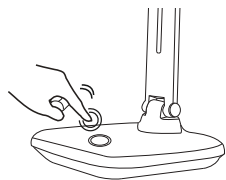
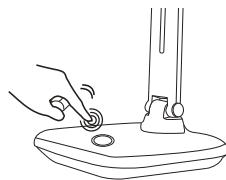


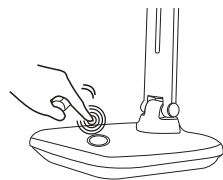
I - 790lm/4000K



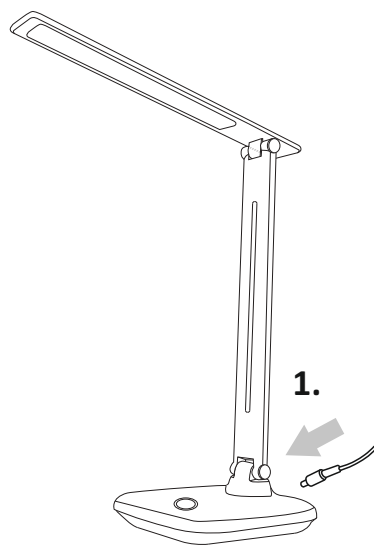
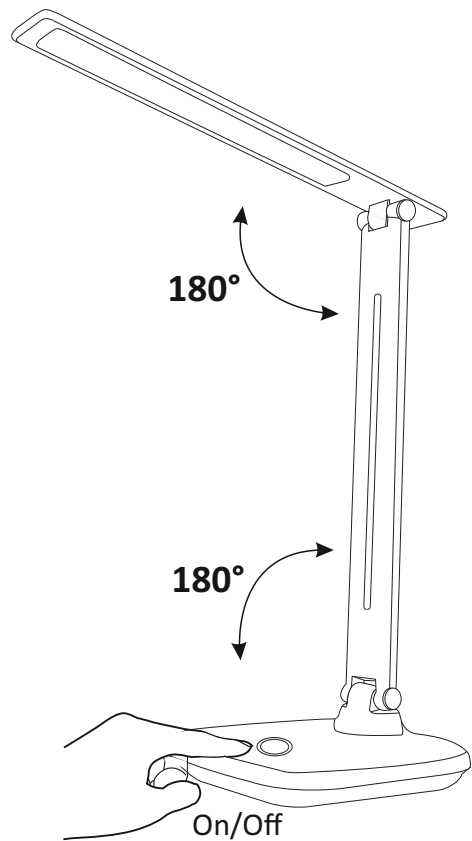
II - 540lm/6500K



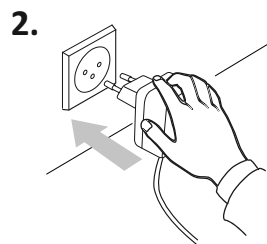
III - 250lm/3000K



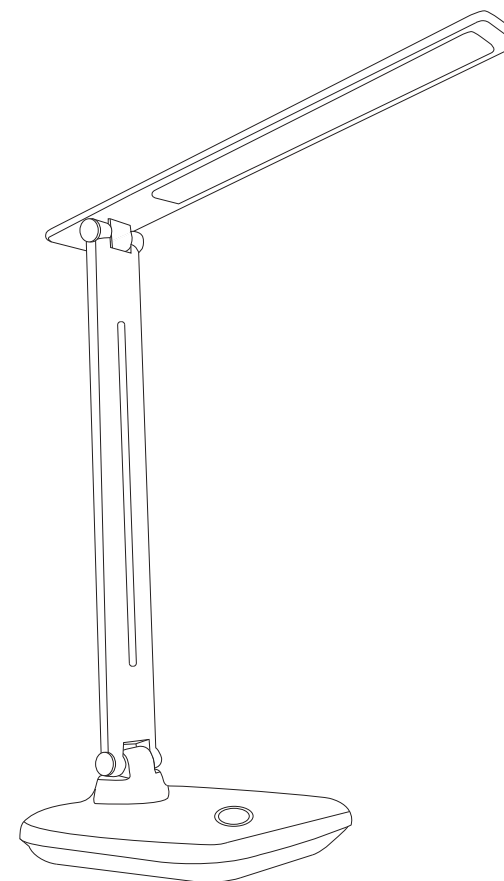
IV - OFF



1.



2.



# VINTO

NUMER KATALOGOWY: 316615 (BLACK); 316622 (WHITE)





